


Panoramic Frame

Component - Pano_Tower_B

Frame Assembly

Parts -	total # of pieces	Pano_L-Frame
Pano_L-Frame	4	
Pano_F-Frame - Top	4	
Pano_F-Frame - Bottom	4	

W:31.55" D:31.55" H:94.5"

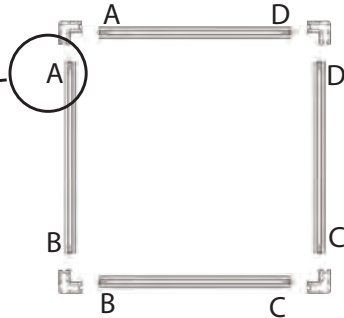
Pano_F-Frame
Horizontals



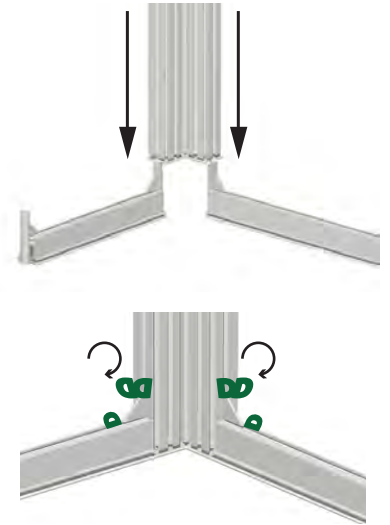
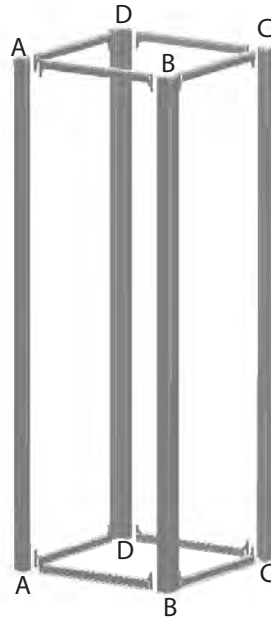
Note: Frame connection points are labeled with letters.
Graphic installation points are identified with numbers.

Step 1 - Arrange bottom Pano_F horizontal sections in place according to frame detail. Corner connectors will already be in place and sections will be labeled with a single letter at each end.

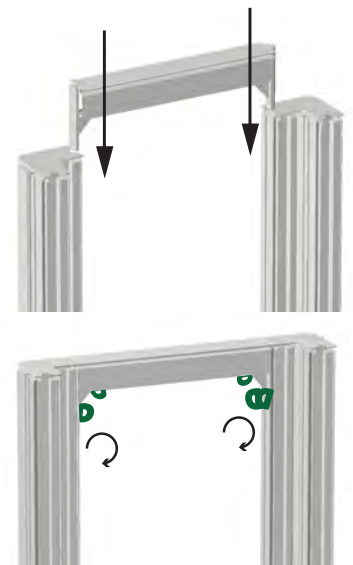
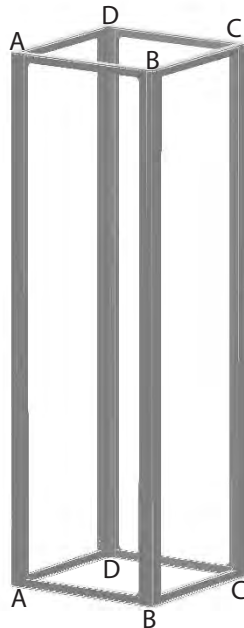
Pano_F
Horizontals



Step 2 - Place assembled vertical posts down onto corner connector on horizontal section. Do one wall or section at a time. Tighten D screws on vertical posts.



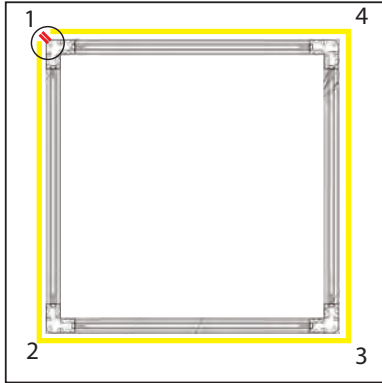
Step 3 - Top horizontal posts will have the same labels as the bottom horizontals with corner connectors attached. Slide top extrusion connectors down onto tops of vertical posts. Tighten D screws on vertical posts.



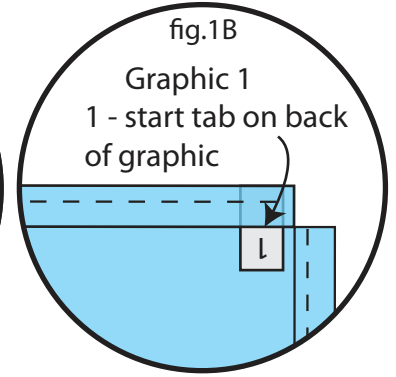
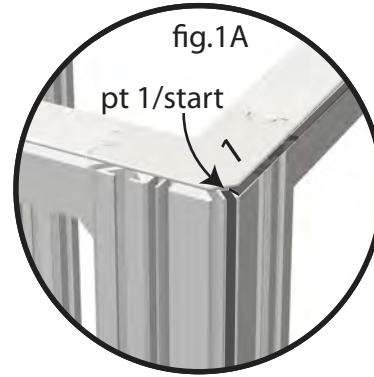
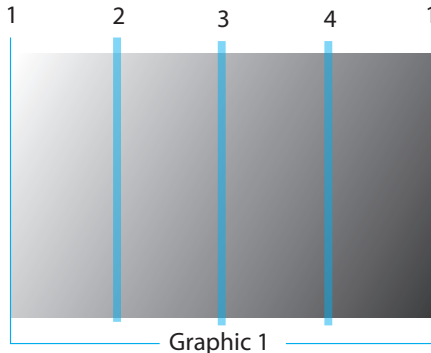
Panoramic Frame

Component - Pano_Tower_B

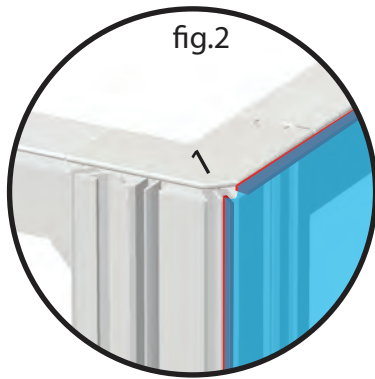
Frame Graphic Installation



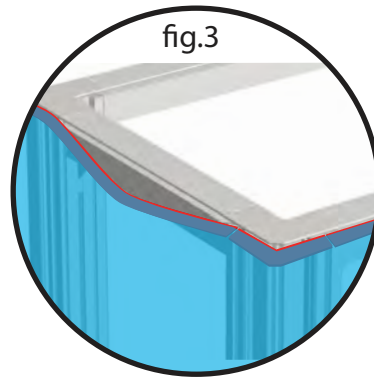
Note: Frame connection points are labeled with letters. Graphic installation points are identified with numbers.



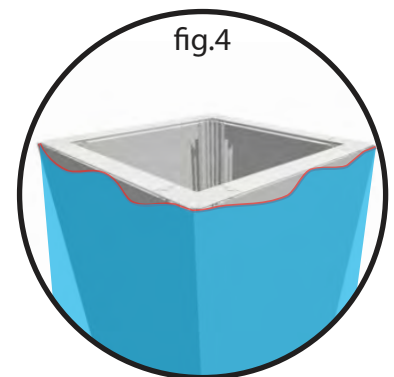
Step 1 - Identify start point on top of frame (fig. 1A, label-1) and graphic top left corner with start tab (fig. 1B, shown in blue).



Step 2 - Insert 1 Top corner of graphic and welt into top groove of L vertical post at point 1. Align welt on left with vertical groove, insert a few inches. See fig. 2

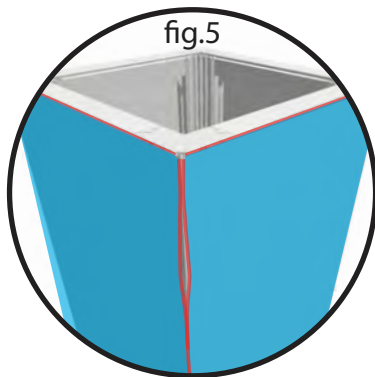


Step 3 - Align corner 2 of graphic with corner 2 on frame. Continue aligning corners around frame to final stop point.

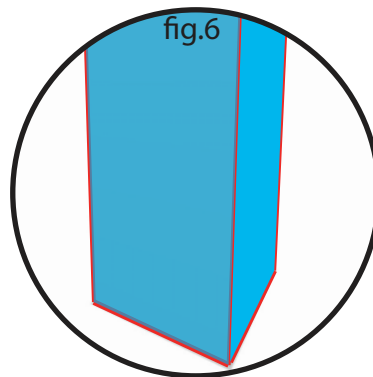


Step 4 - Work in top welt between corners from center out to corners making sure graphic is evenly distributed.

Be sure to push graphic into the groove, not slide.



Step 5 - Insert welt in vertical grooves between top and bottom corners. Work from middle out making sure graphic is evenly distributed.



Step 6 - Follow steps 1-5 for bottom of graphic.

