

NAVIGATOR

STANDING FABRIC STRUCTURES

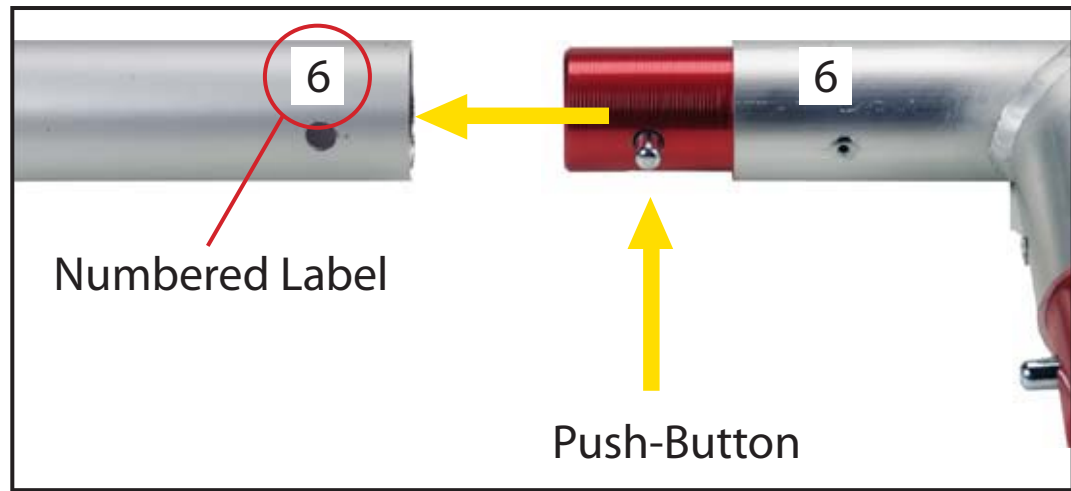
Using Your Setup Instructions

The Standing Sign Setup Instructions are created specifically for your configuration. They include an exploded view of the frame which is sequentially numbered. We encourage you to study the instruction before attempting to assemble your exhibit.

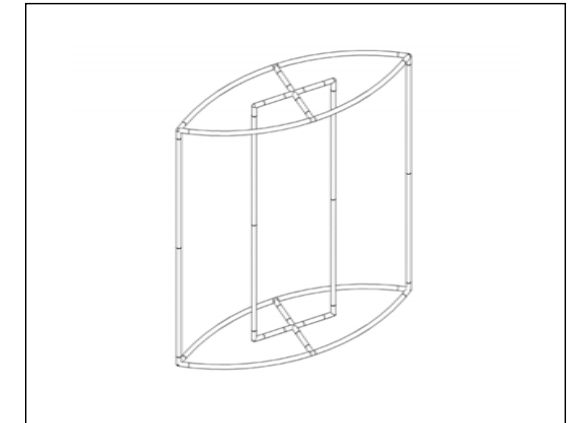
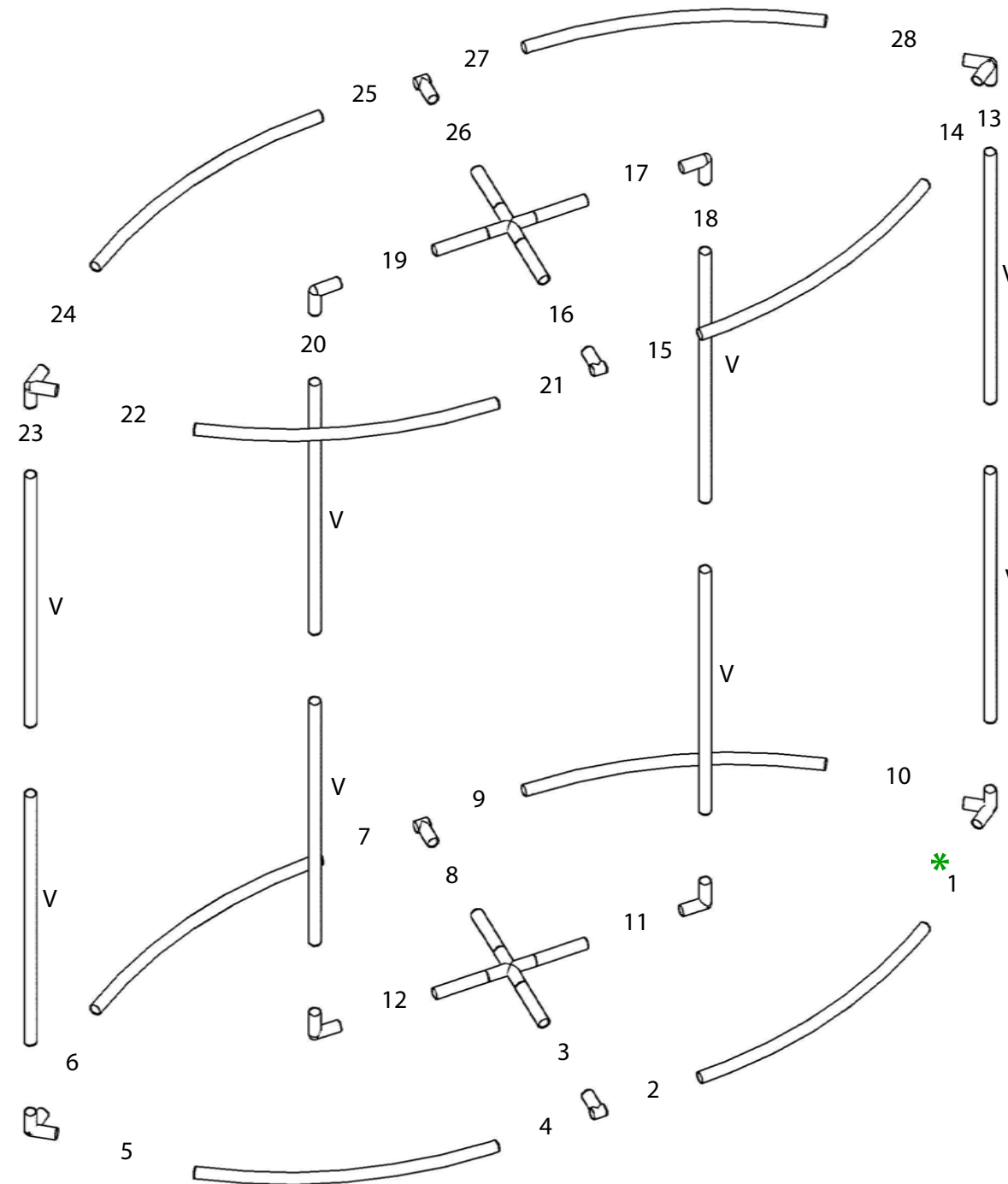
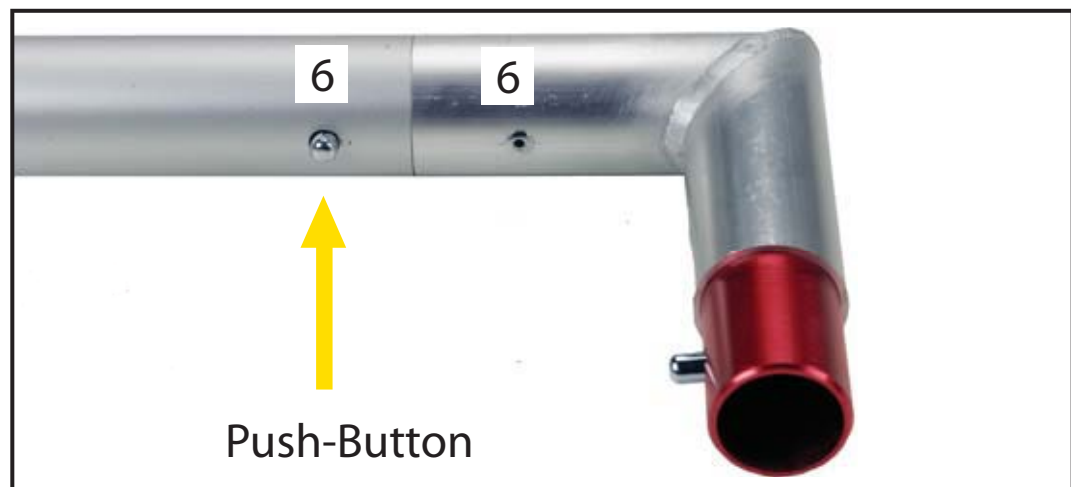
Connections are kept very simple: no tools for frame, 7/32 allen wrench for base plates. Everything assembles with push-button connectors and pre-connected horizontal sections.

Cleaning and Packing Your Display

- 1) Use care when cleaning aluminum extrusion or acrylic inserts. Use only non-abrasive cleaners.
- 2) Retain all packing material. It will make re-packing much easier and will reduce the likelihood of shipping damage.



Connections are made by holding the button down and sliding the red tube into opposing tube until the connection is made. To disassemble push button and pull or twist extrusions apart.

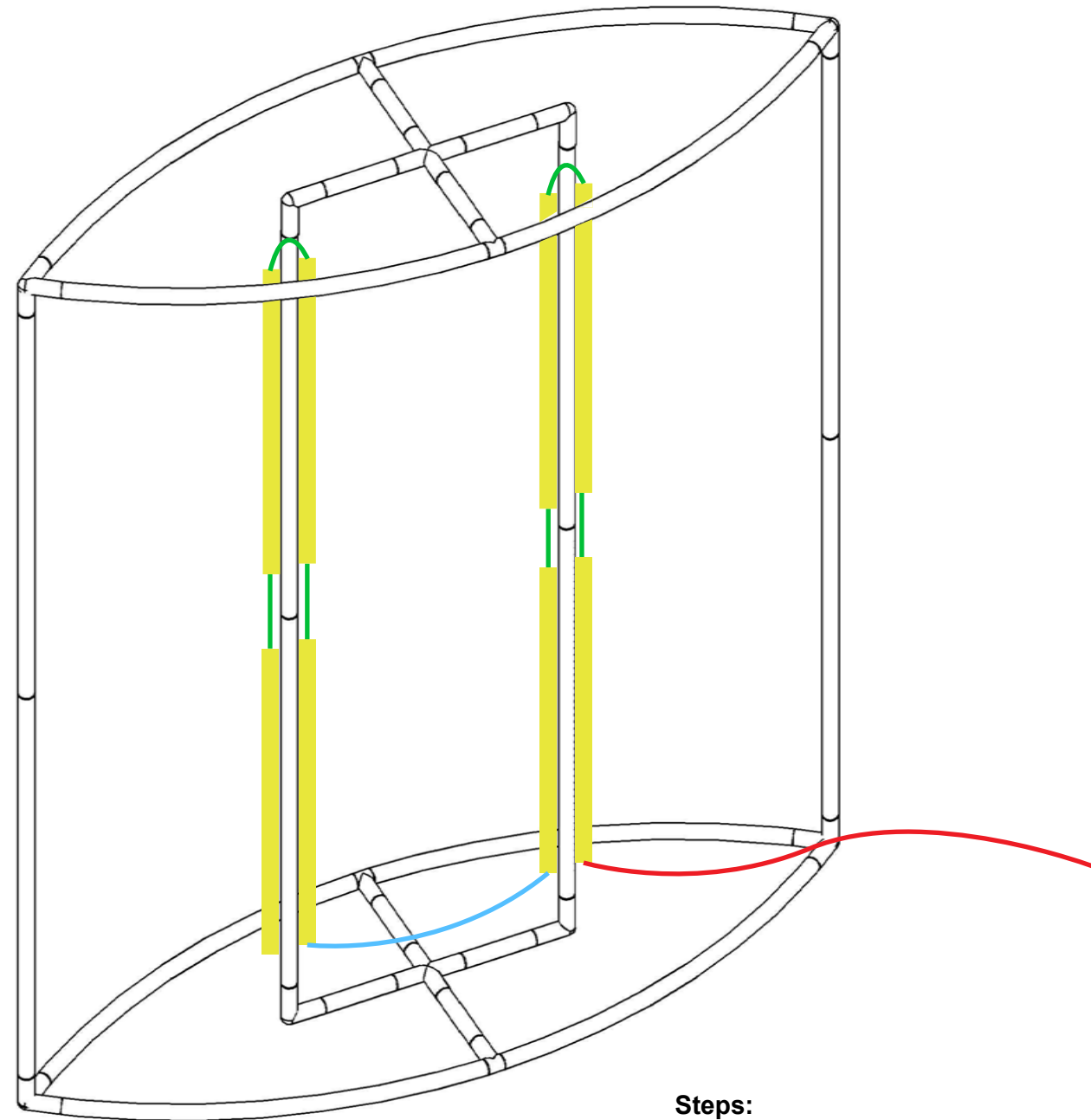


Steps:

- 1) Connect pieces together in numerical order.

Next, add lights then graphics. (See back)

LIGHTING DIAGRAM



- Steps:**
 1) Lights clip to frame as shown.
 2) Install cords according to color key.

- Color Key:**
— Power Cord (1)
— 36" Link Cord (1)
— 6" Link Cord (6)

GRAPHIC INSTALLATION



- 1) Slightly tip frame forward.
 2) Slip graphic onto top of frame.



- 3) Slip graphic approximately 1/3 of the way down the frame.



- 4) Tip frame back to upright position.



- 5) Slide graphic down frame.



- 6) Finish bringing graphic down frame.



- 7) Align graphic to frame.



- 8) Velcro along bottom of frame.