

NAVIGATOR

TENSION FABRIC / TUBE STRUCTURES

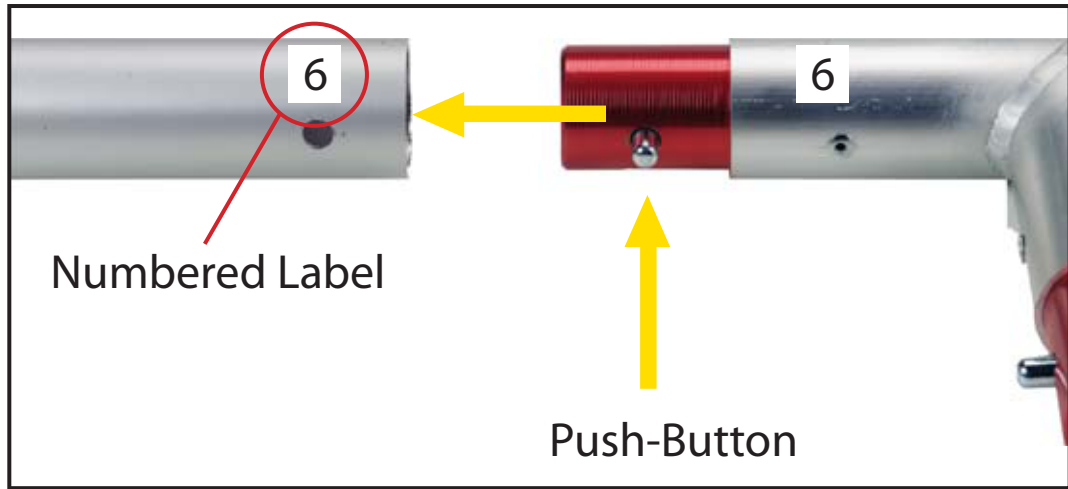
Using Your Setup Instructions

The Standing Sign Setup Instructions are created specifically for your configuration. They include an exploded view of the frame which is sequentially numbered. We encourage you to study the instructions before attempting to assemble your exhibit.

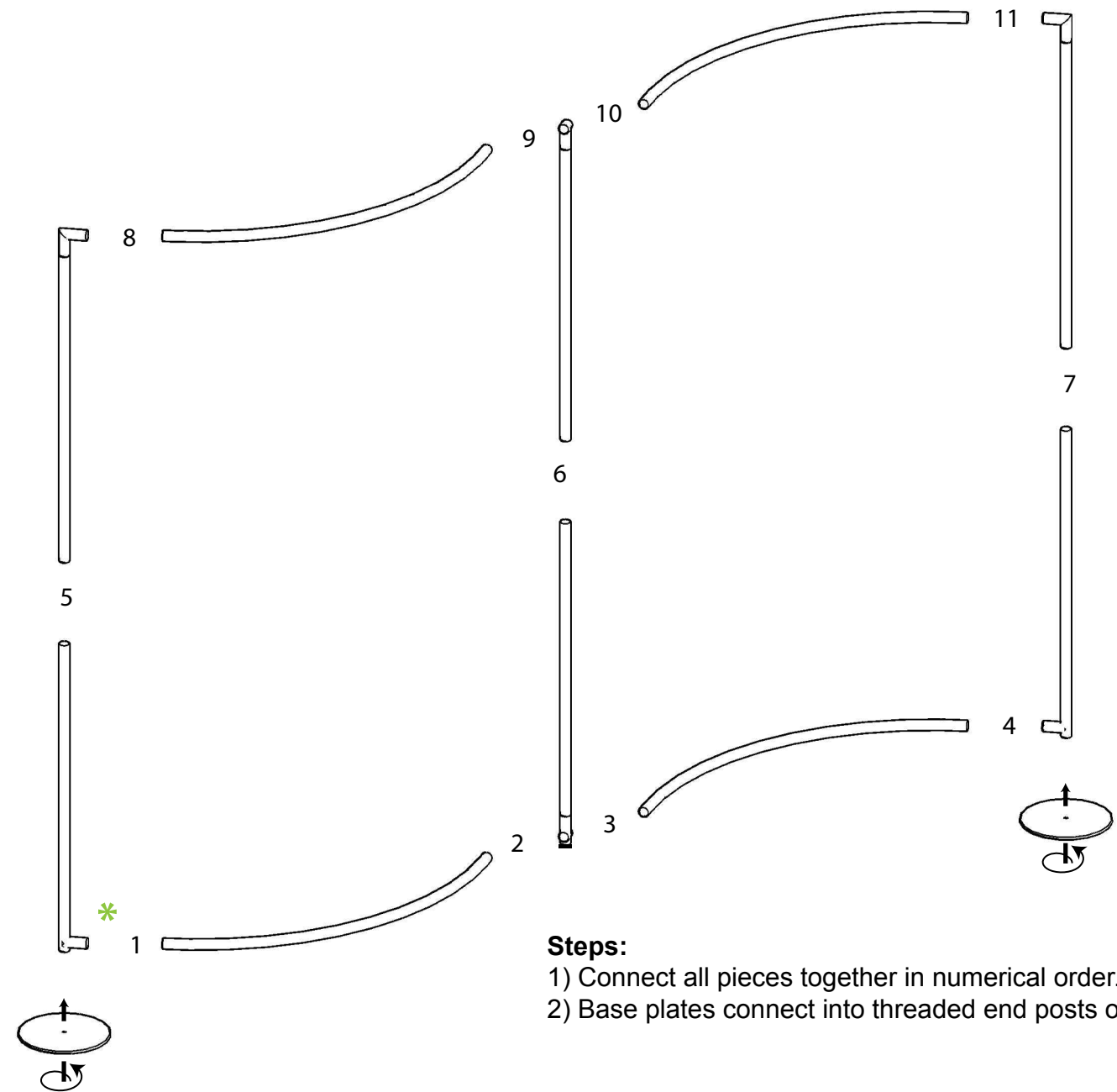
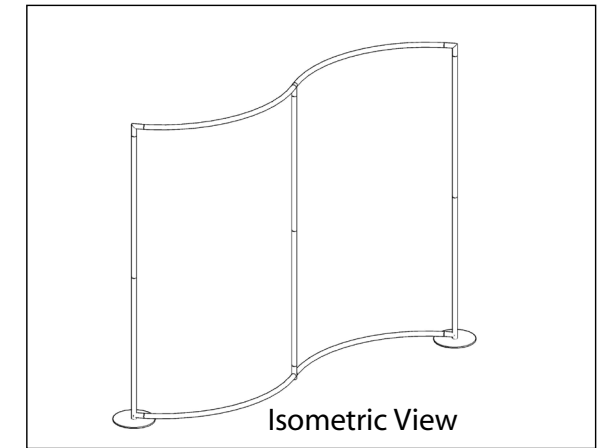
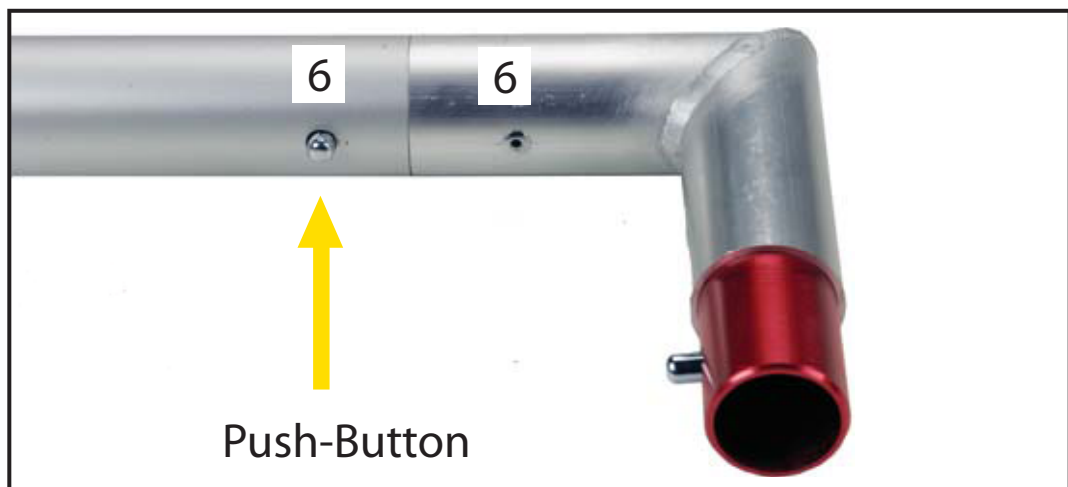
Connections are kept very simple: no tools for frame, 7/32 allen wrench for base plates. Everything assembles with push-button connectors and pre-connected horizontal sections.

Cleaning and Packing Your Display

- 1) Use care when cleaning aluminum extrusion or acrylic inserts. Use only non-abrasive cleaner.
- 2) Retain all packing material. It will make re-packing much easier and will reduce the likelihood of shipping damage.



Connections are made by holding the button down and sliding the red tube into opposing tube until the connection is made. To disassemble push button and pull or twist extrusions apart.



Steps:

- 1) Connect all pieces together in numerical order.
- 2) Base plates connect into threaded end posts of frame.