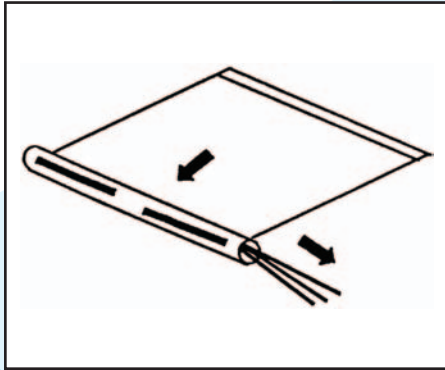
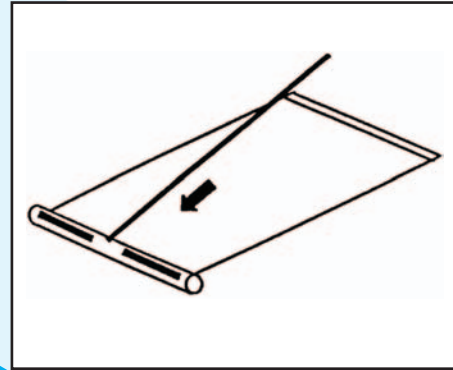


Carrier

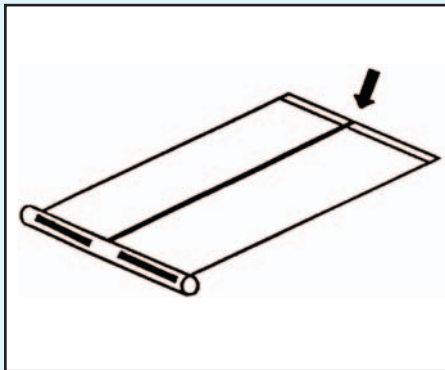
Set Up Instructions



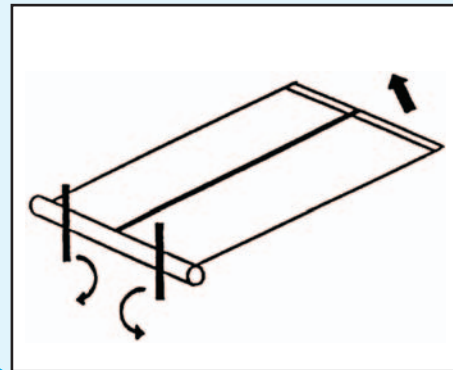
1 Remove pole from base of stand and roll banner out on floor.



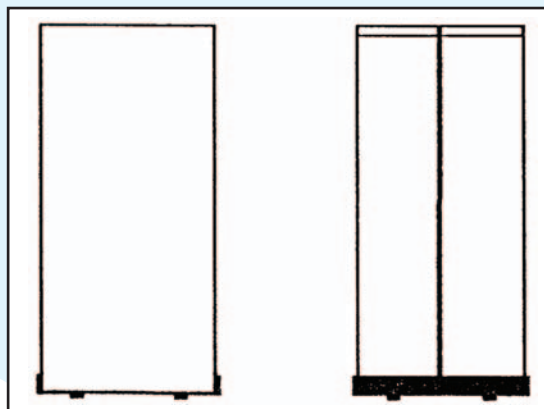
2 Assemble pole and place into base locking onto pin inside base.



3 Attach pole to top of graphic.



4 Open feet and stand up.



Front

Back