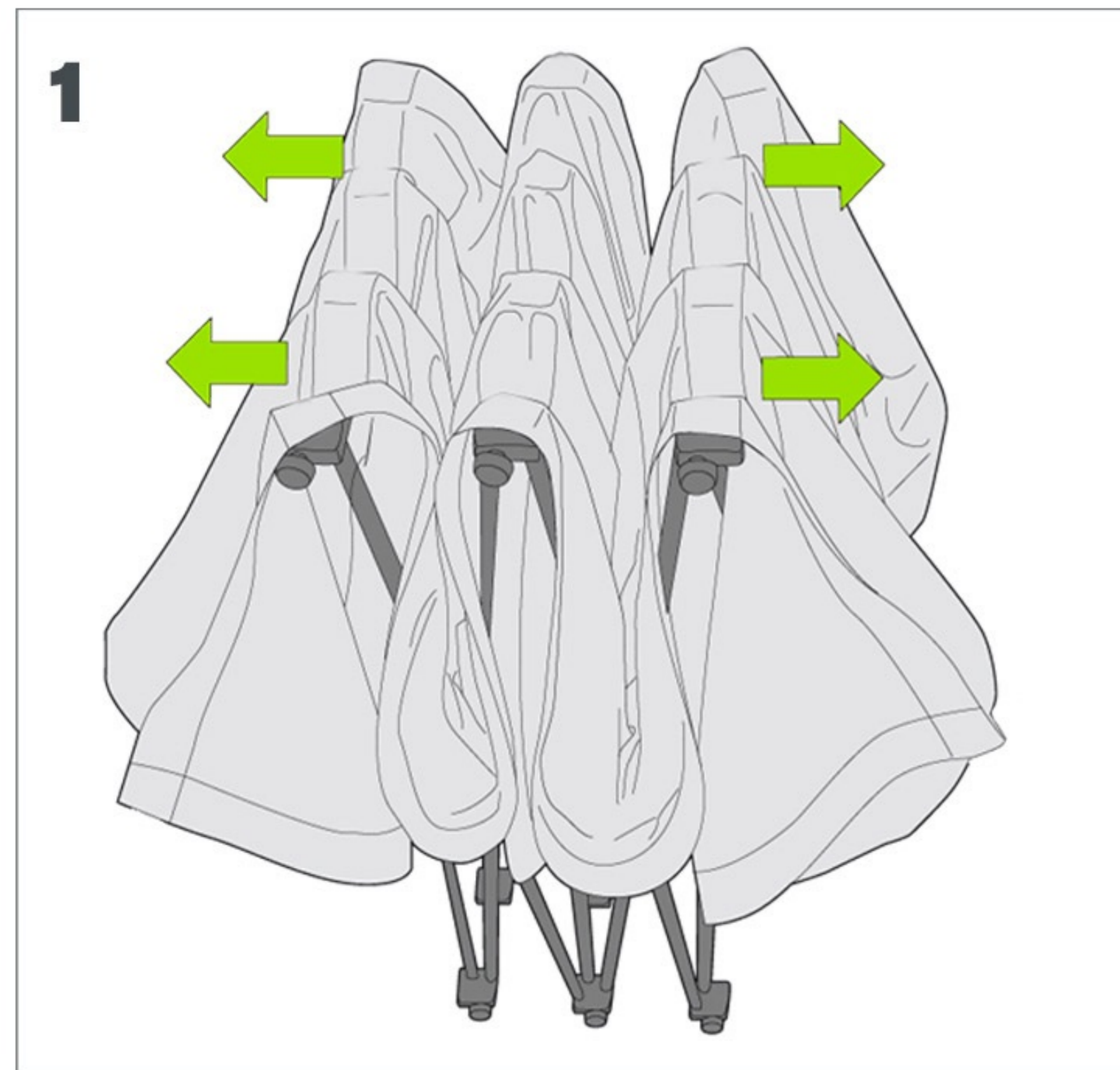
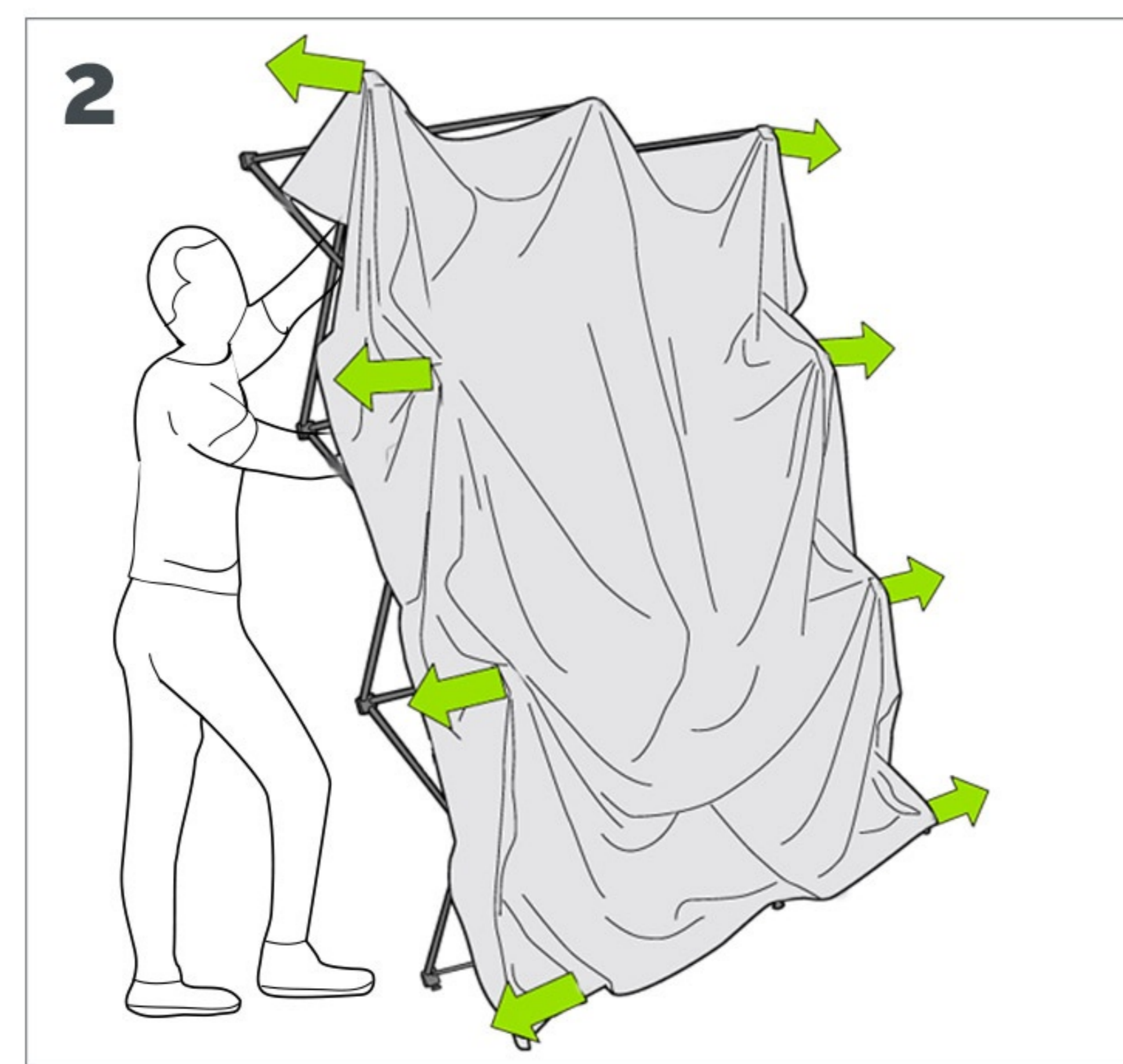


xtension.

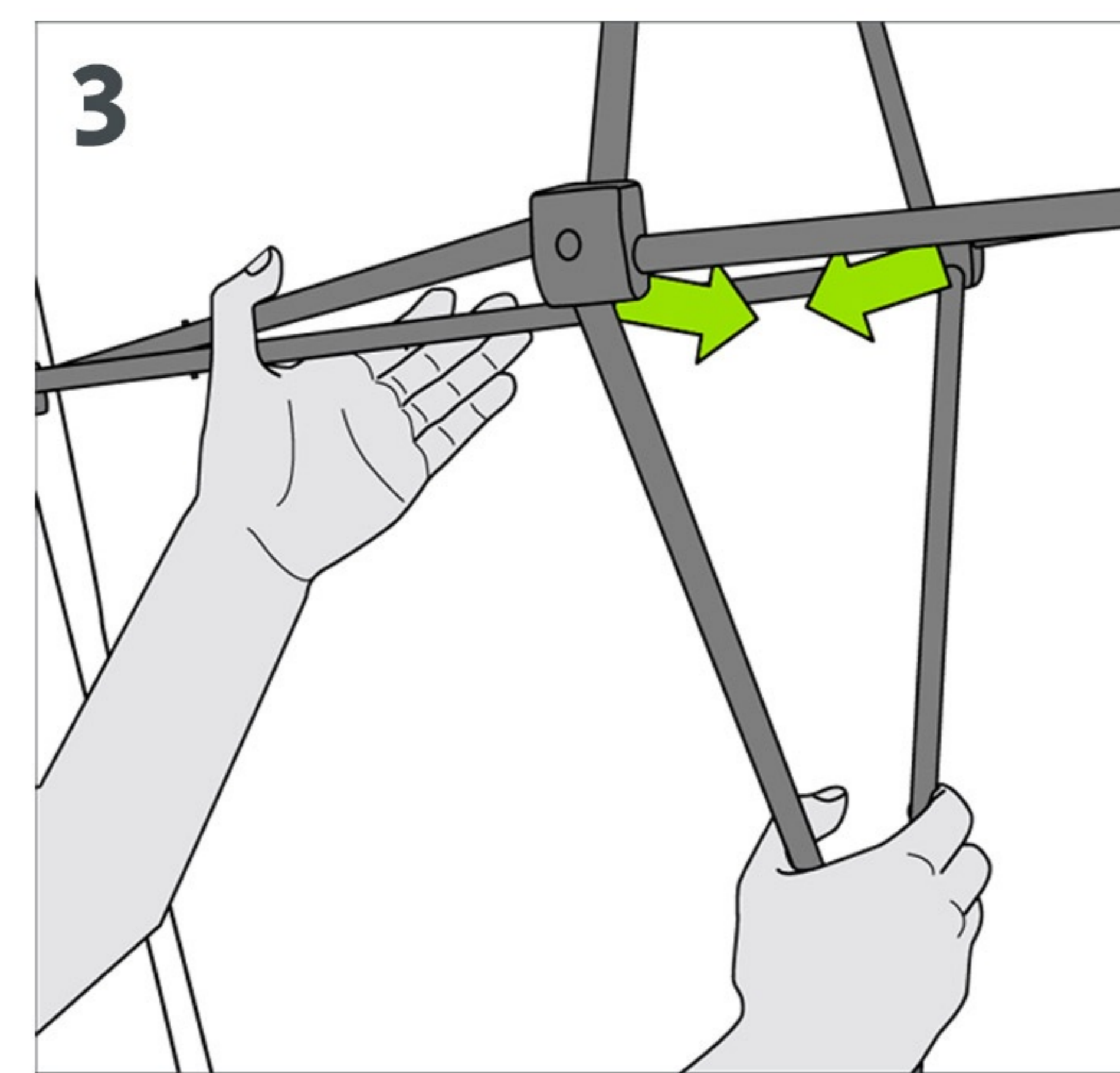
SET UP INSTRUCTIONS



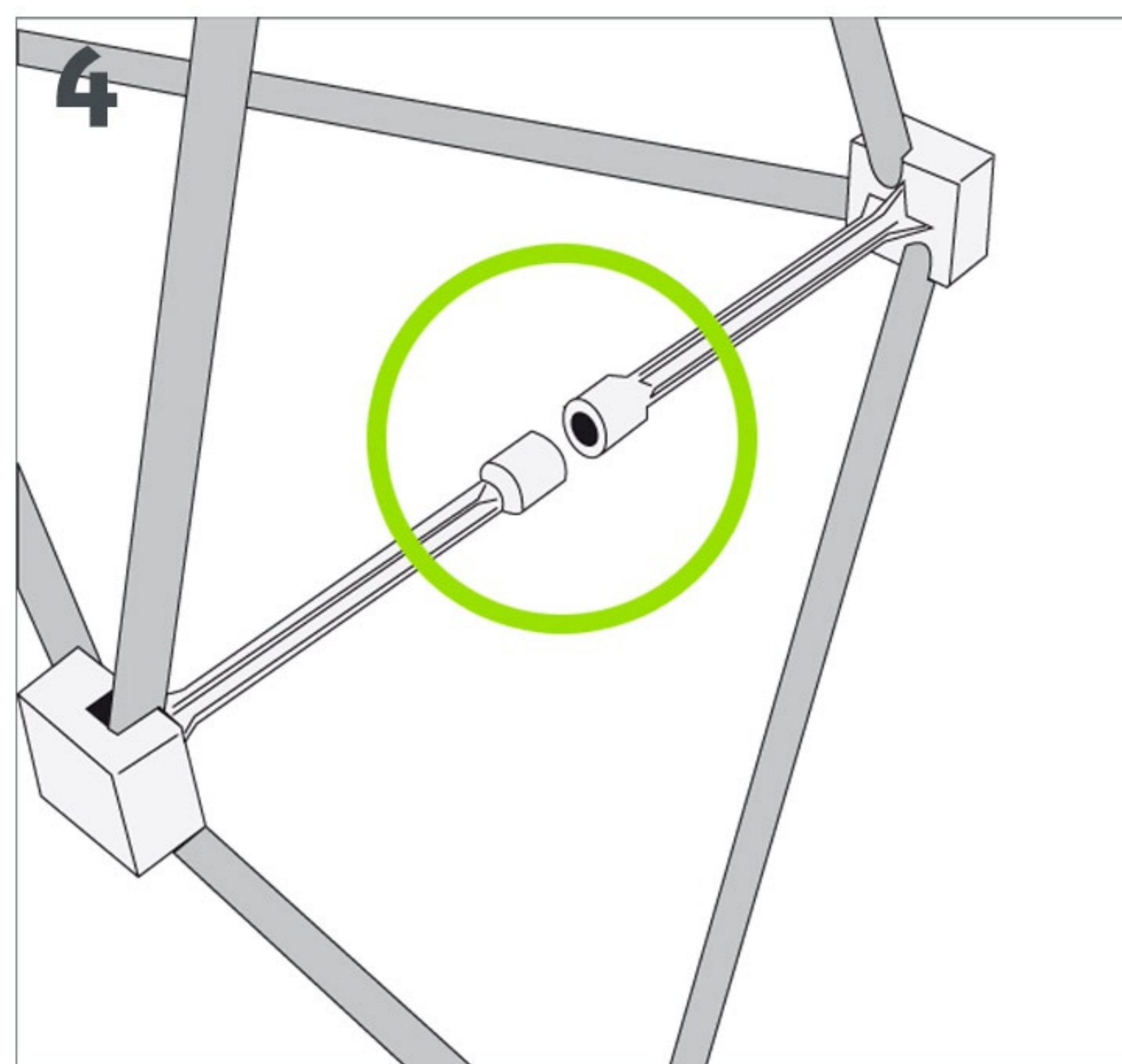
Gently expand the structure.



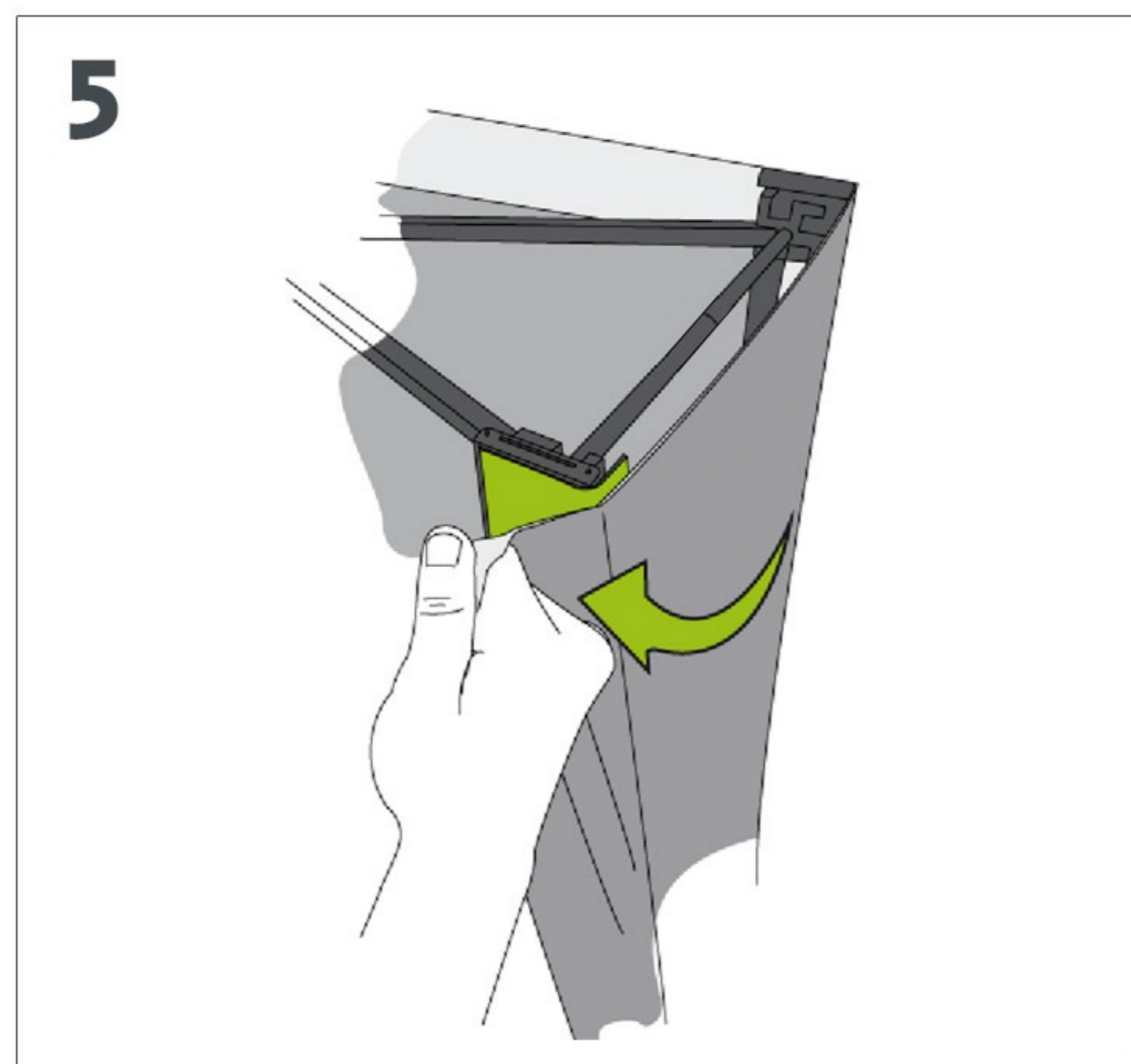
Expand the frame vertically while bending it slightly backwards.



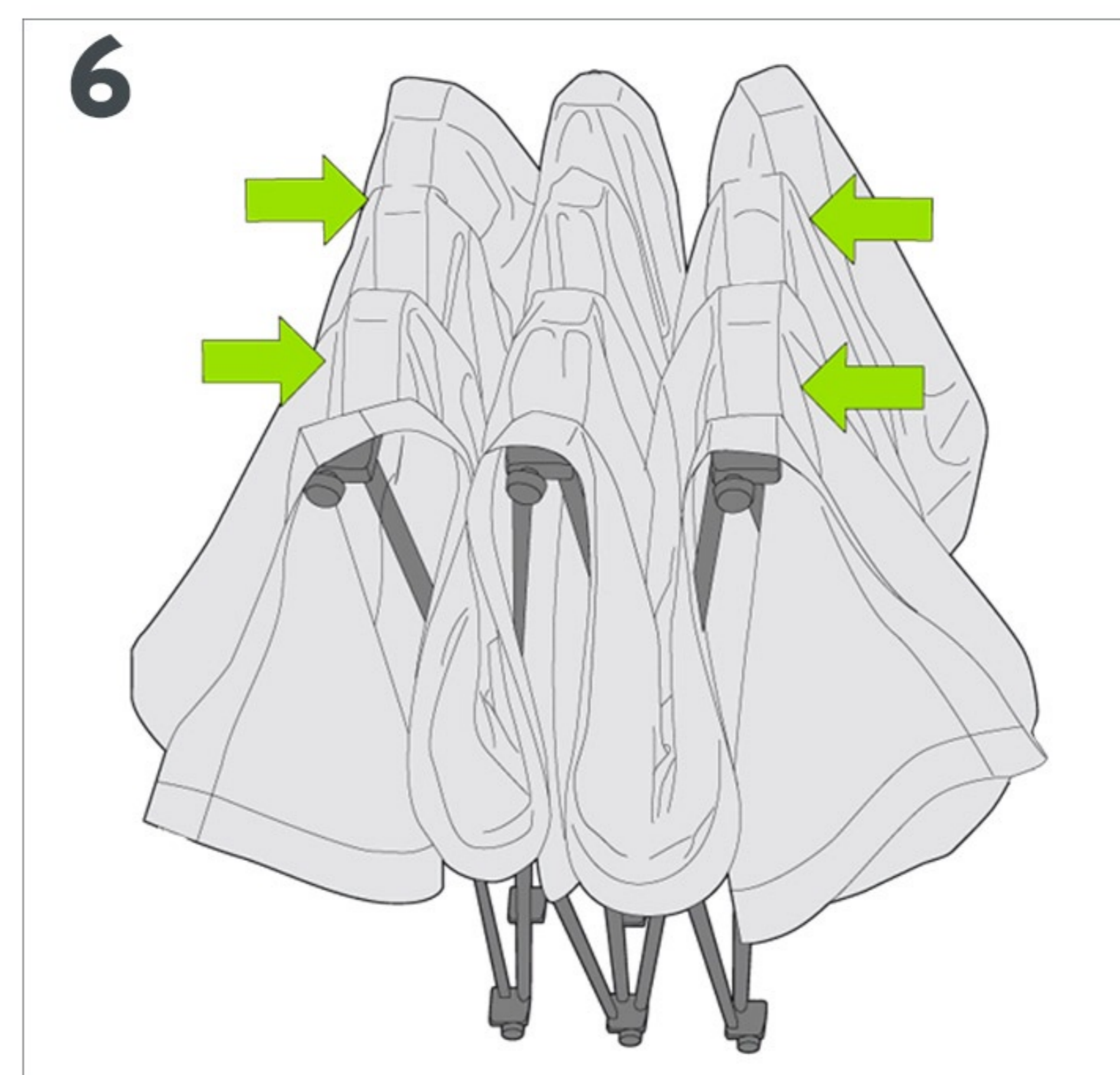
Pull the structure together at the cross-braces.



The powerful magnetic connectors allow the structure to automatically close in a few seconds.



To create good graphic tension and a wrinkle-free look, wrap the endcaps around the sides of the frame and attach the graphic to the velcro on the back of the frame. Warning: before dismantling the structure, you must detach the graphic from the back of the structure.



Disconnect the magnetic connectors and then dismantle the structure with the graphic still attached.

